

# Product data sheet

Specifications



## Flat screen, Harmony GTU, 15 Touch Smart Display XGA

HMIDT732

### Main

Range of product	Harmony GTU
Product or component type	Flat screen
Terminal type	Touchscreen display
[Us] rated supply voltage	12...24 V DC power supply
Supply voltage limits	10.8...28.8 V
Power consumption in W	22 W
Inrush current	30 A

### Complementary

Integrated connection type	USB 2.0 type A USB 2.0 type mini B
Touchscreen resolution	1024 x 1024
Pixel resolution	1024 x 768
Display size	15 inch
Aspect ratio	4:3
Display type	Colour TFT LCD
Display resolution	1024 x 768 pixels XGA
Display colour	16 million colours
Backlight lifespan	50000 hours
Touch panel	Multi touch analogue resistive
Function available	Brightness sensor
Type of cooling	Natural convection
Type of installation	Indoor installation
Cut-out dimensions	383.5 (+ 1/- 0) x 282.5 (+ 1/- 0) mm
Width	397 mm
Height	296 mm
Depth	67 mm
Net weight	4.5 kg

## Environment

<b>IP degree of protection</b>	Front panel: IP66 Front panel: IP67
<b>NEMA degree of protection</b>	NEMA 4X front panel
<b>Standards</b>	UL 508 ANSI/ISA 12-12-01 Class I division 2 CSA C22.2 No 213 CSA C22.2 No 142 IEC 61132-2
<b>Product certifications</b>	CULus RCM KC CE UKCA UKEX
<b>Ambient air temperature for operation</b>	0...60 °C conforming to EN 61131-2
<b>Ambient air temperature for storage</b>	-20...60 °C
<b>Relative humidity</b>	10...90 % non-condensing
<b>Operating altitude</b>	2000 m
<b>Vibration resistance</b>	3.5 mm constant amplitude (f = 5...9 Hz) conforming to EN/IEC 61131-2 9.8 m/s <sup>2</sup> (f = 9...150 Hz) conforming to EN/IEC 61131-2
<b>Shock resistance</b>	147 m/s <sup>2</sup> conforming to EN/IEC 61131-2
<b>Electromagnetic compatibility</b>	Electrostatic discharge immunity test level 3 conforming to EN/IEC 61000-4-2

## Packing Units

<b>Unit Type of Package 1</b>	PCE
<b>Number of Units in Package 1</b>	1
<b>Package 1 Height</b>	15.000 cm
<b>Package 1 Width</b>	37.500 cm
<b>Package 1 Length</b>	52.500 cm
<b>Package 1 Weight</b>	6.260 kg
<b>Unit Type of Package 2</b>	P12
<b>Number of Units in Package 2</b>	16
<b>Package 2 Height</b>	105.000 cm
<b>Package 2 Width</b>	80.000 cm
<b>Package 2 Length</b>	120.000 cm
<b>Package 2 Weight</b>	112.128 kg

## Offer Sustainability

<b>Sustainable offer status</b>	Green Premium product
<b>REACH Regulation</b>	<a href="#">REACH Declaration</a>
<b>REACH free of SVHC</b>	Yes
<b>EU RoHS Directive</b>	Pro-active compliance (Product out of EU RoHS legal scope) <a href="#">EU RoHS Declaration</a>
<b>Mercury free</b>	Yes
<b>China RoHS Regulation</b>	<a href="#">China RoHS declaration</a>
<b>RoHS exemption information</b>	Yes
<b>WEEE</b>	The product must be disposed on European Union markets following specific waste collection and never end up in rubbish bins

---

**California proposition 65**

WARNING: This product can expose you to chemicals including: Lead and lead compounds, which is known to the State of California to cause cancer and birth defects or other reproductive harm. For more information go to [www.P65Warnings.ca.gov](http://www.P65Warnings.ca.gov)

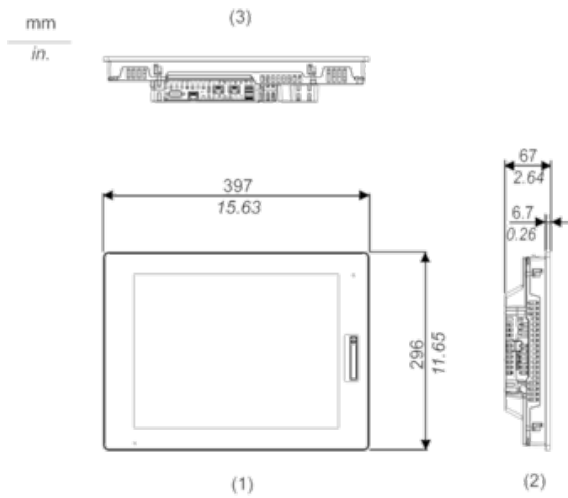
**Contractual warranty**

---

Warranty 18 months

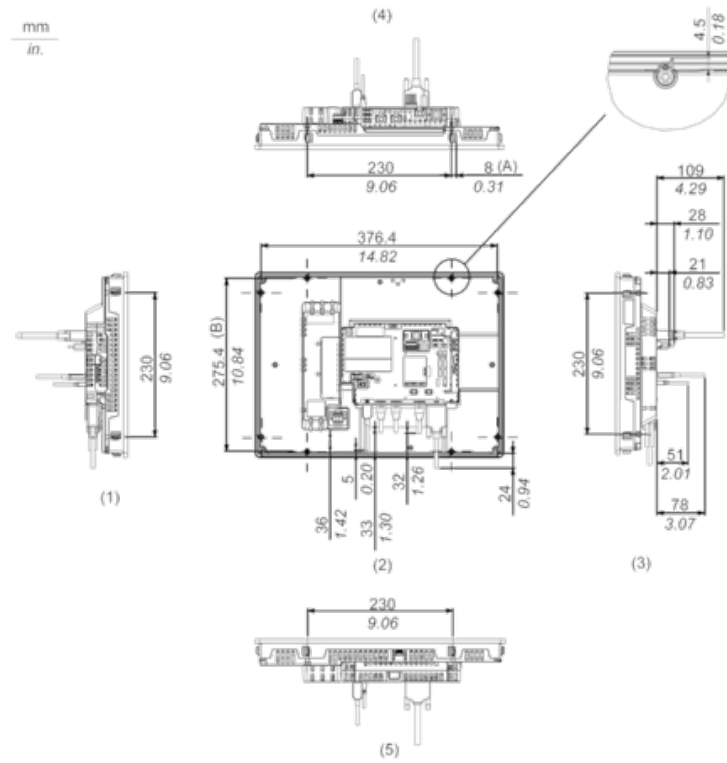
**External Dimensions**

**Display Unit with Box Module**



- 1 Front
- 2 Left
- 3 Bottom

**Installation with Installation Fasteners and Dimensions with Cables**

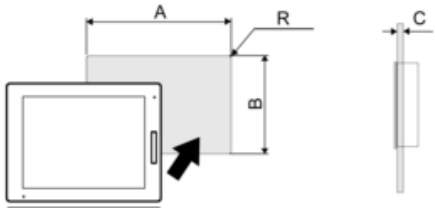


- (A) Rotation area of the fastener
- (B) Pitch of the center of installation fastner screws

- 1 Right
- 2 Front
- 3 Left
- 4 Bottom
- 5 Top

**Mounting**

**Panel Cut Dimensions**



Dimensions in mm

A	B	C	R
383.5 (+1/-0)	282.5 (+1/-0)	1.6...5	3 max.

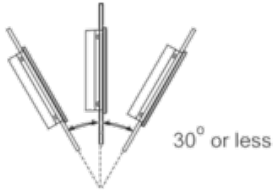
Dimensions in in.

A	B	C	R
15.10 (+0.04/-0)	11.12 (+0.04/-0)	0.06...0.2	0.12 max.

**Installation Requirements**

---

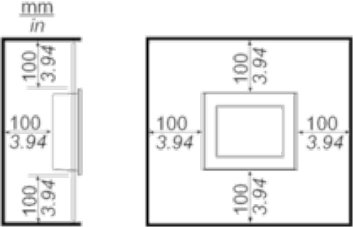
**Mounting Angle**



When installing this product in a slanted position with an incline more than 30°, the ambient temperature must not exceed 40 °C (104 °F). You may need to use forced air cooling (fan, A/C) to ensure the ambient operating temperature is 40 °C or less (104 °F or less).

**Clearance**

---



**Recommended replacement(s)**